

CoreLine Panel



Sisesh Behuray & Nitin Bahl

PLS

Jan 2017

PHILIPS

Contents

- Product Objective
- Product Specifications
- Product Applications
- Product Designation
- Product Ordering Data
- Installation Instructions

Product Objective

- To design and provide a LED solution for replacement of 2X36PLL & 4X14W T5 conventional troffer.
- To provide right lights in offices in order to create a pleasant working environment, pleasant mood, increase productivity.
- To reduce energy cost, maintenance costs and operating costs and create a strong TCO story



Offices



Showrooms



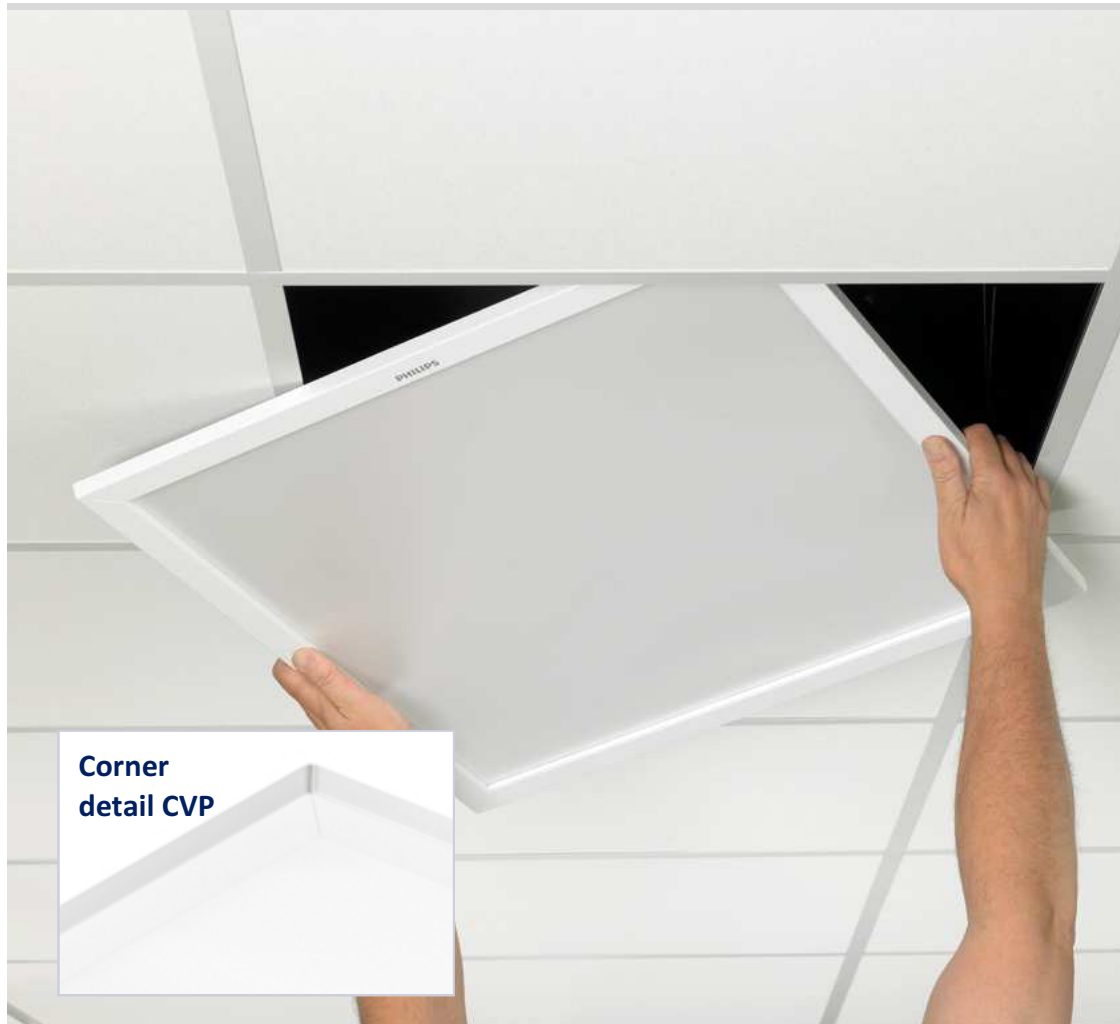
BOH Area



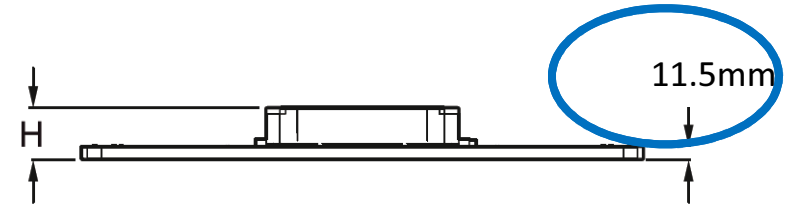
Banks

PHILIPS

Attractively shaped



- Extremely slim design; 11.5 mm height
- Easy to install
- 600 mm module size



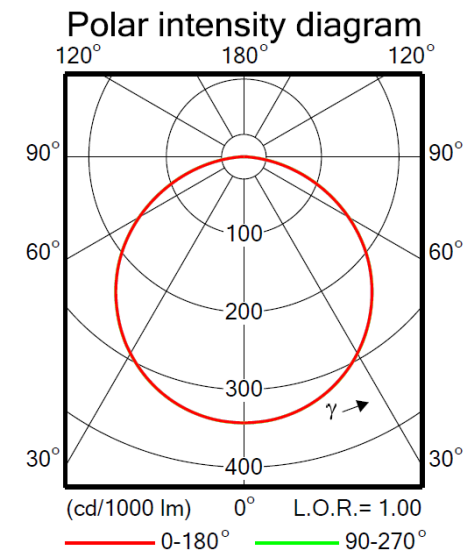
CoreLine Panel- Features and Benefits



Reason to believe

- Delivers comfortable light- Edge light panel delivers uniform and soft light
- More than 35 % savings on energy bill as compared to conventional solutions
- Ultra slim design, nicely shaped surface
- Recessed lighting solution with no flicker yet high uniformity provides comfort modern lighting experience
- Good Performance and reliability – CRI >70 , SDCM 5 , 25K hrs.@L70

Make/ Model	Coreline panel
Type	RC375B LED28S/865 PSU W60L60 WH RC375B LED28S/840 PSU W60L60 WH
Dimension	597mmX597mmX11.5mm 597mmX597mmX43.5mm(including driver)
CCT	6500K & 4000K
Lumen Pack	2800 Lm
Body weight	4.1 Kg(Incl. Box)
System Power	36W
CRI	>70
Efficiency	>75 Lm/W
IP Rating	IP 20
Fixture Color	White
Input / Output Parameters	
Rated Supply Voltage (Volts)	220-240V AC
Control	PSU Driver
Rated Frequency (Hz)	50-60Hz
Operating Voltage Range (Volts)	220-240V AC
Frequency Range (Hz)	50-60Hz
Rim Material	Aluminum
Life	L70B50-25KHrs @ Ta :40 Degrees
Safety Class	Class II
Total Wattage (LED + Driver)	36 W
Lumen & Efficacy	2800 Lumen
PF	>.9
THD	THD < 20 %
IP Rating	IP 20
IK Rating	IK 02
Heat sink type	Not Required
Leakage current	as per IEC 60598



Focus on general illumination applications



Office general areas

- Lighting for corridors and circulation areas
- Low task complexity
- Supporting wayfinding and pleasant atmosphere



Retail

- General lighting for stores
- Check-out and cashier areas
- Wayfinding and low task complexity



Public

- Uniform, general lighting for transport/circulation zones in public buildings and airports.
- Supports wayfinding

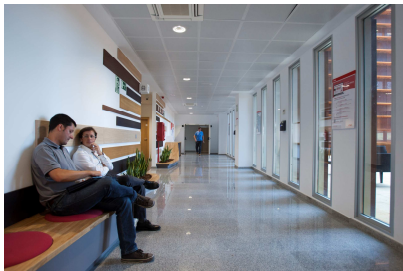
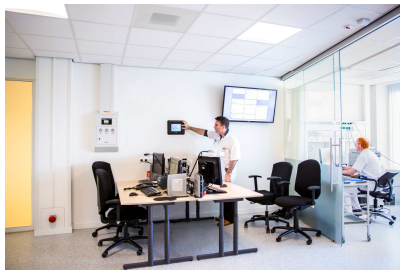


Healthcare

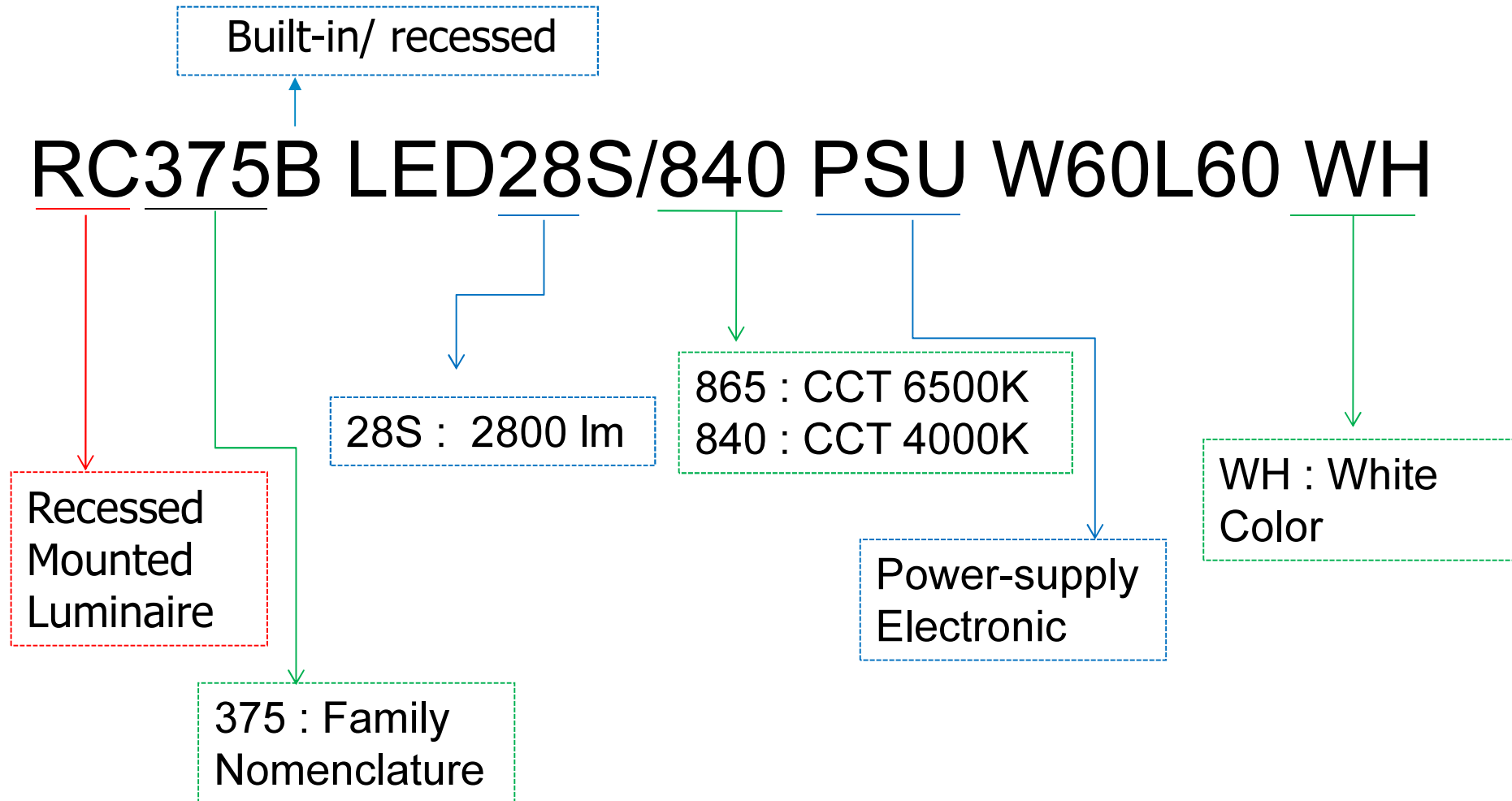
- Supporting a pleasant environment in the general areas in the hospital
- Waiting rooms
- Corridors
- Circulations areas
- Reception areas

Focus on general illumination applications

- Office
- Corridors & circulation areas
- Retail
- Healthcare
- Hospitality



How to read the Cat ref



Ordering Details

S. No.	Product Description	12 NC	Qty. per Box
1	RC375B LED28S/840 PSU W60L60 WH	910503910197	1
2	RC375B LED28S/865 PSU W60L60 WH	910503910198	1

Spare Driver

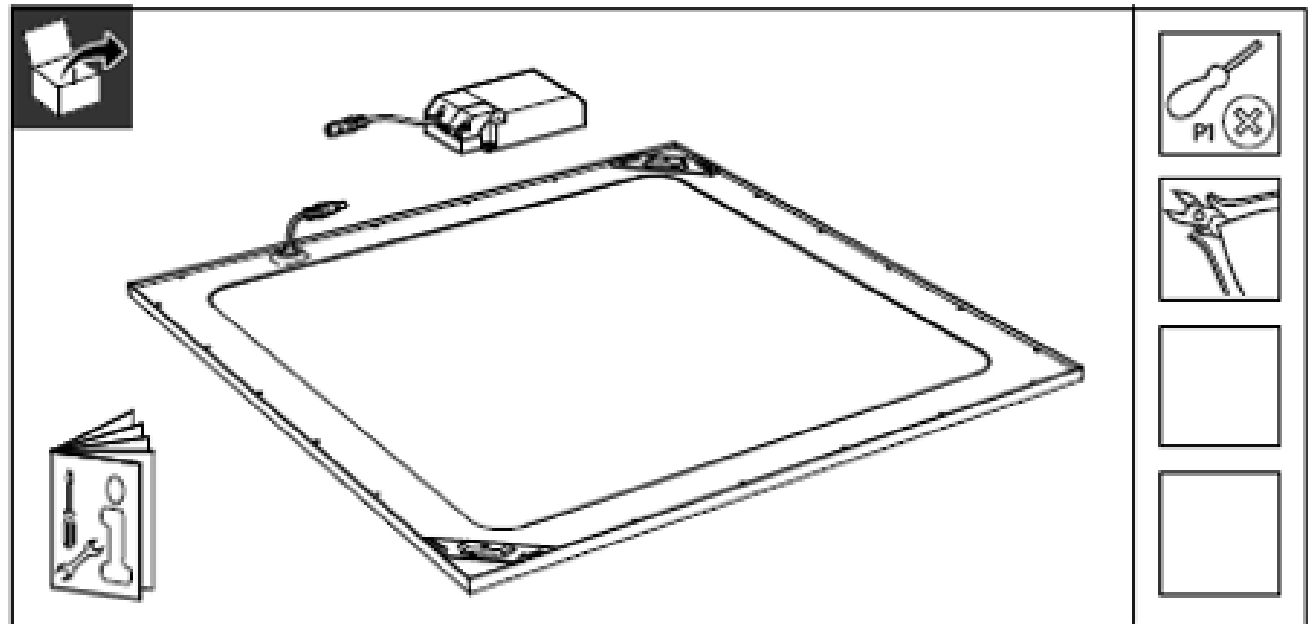
S. No.	Product Description	12 NC	Spare Driver
1	RC375B LED28S/840 PSU W60L60 WH	910503910197	9290 01508814
2	RC375B LED28S/865 PSU W60L60 WH	910503910198	929001508814

MI Sheet

PHILIPS

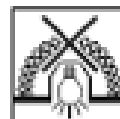
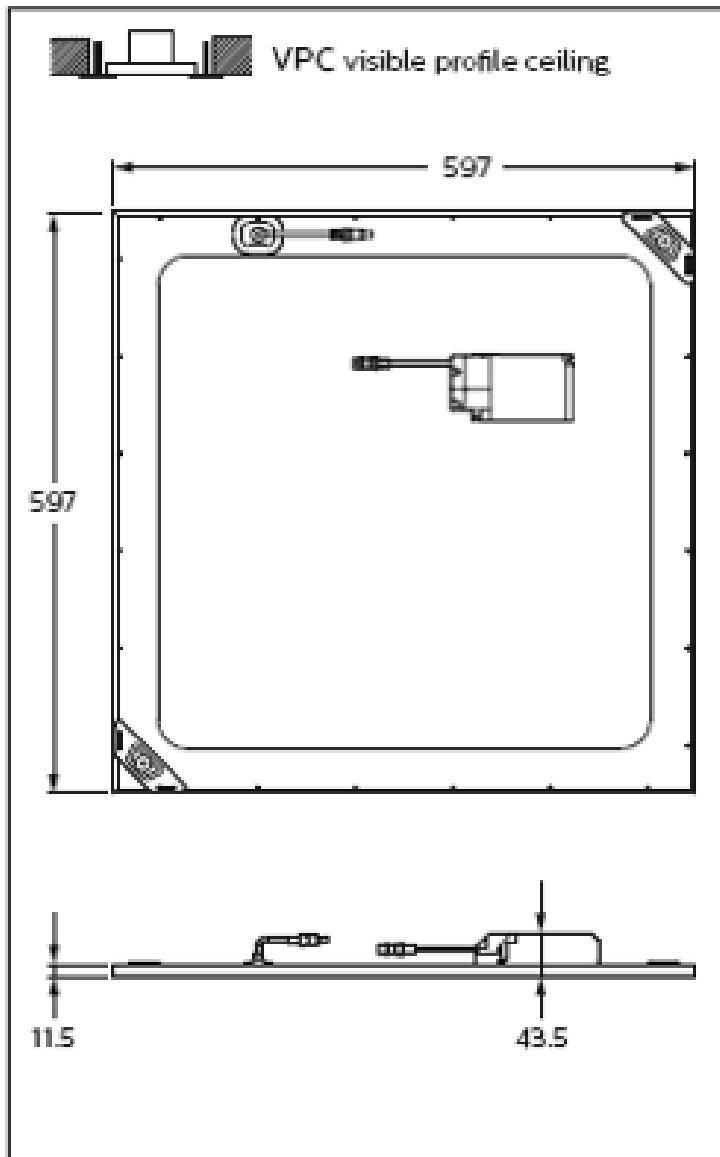
Panel RC375B

Recessed (VPC)



		220V 240V	50Hz 60Hz		LEDs	IP20	Ta 40 °C	IK02	Max. 40 °C Min. 10 °C	GLOW WIRE 650 °C		
--	--	--------------	--------------	--	------	------	-------------	------	--------------------------------	------------------------	--	--

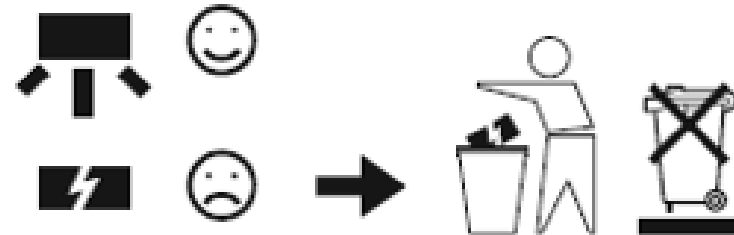
	Driver	Lumen (lm)	CCT (K)	kg
RC375B	PSU(36W)	2800	4000 / 6500	2.7



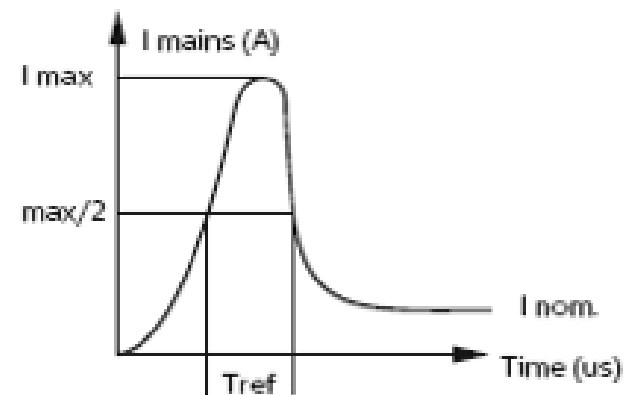
The luminaire shall, under no circumstance, be covered with thermal insulation matting or similar material.



The light source of this luminaire is not replaceable; when the light source reached its end of life the whole luminaire shall be replaced.



Inrush current



Electrical characteristics	
I_{max} (A)	5
T_{ref} (μs)	55
MCB	Panels Max.
B-10 A	25
B-13 A	32
B-16 A	40
C-10 A	40
C-13 A	54
C-16 A	68

PHILIPS

